

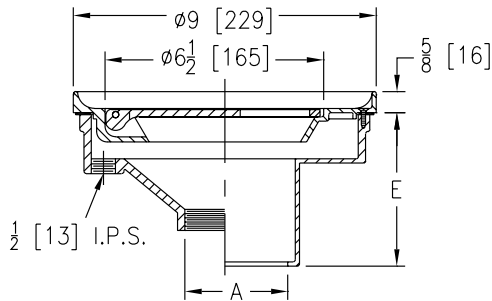
Z320 REFRIGERATOR DRAIN



ENGINEERING SPECIFICATION

Zurn ZN320 9" refrigerator drain features cast iron body with white acid resistant epoxy coated interior, nickel bronze flushing rim top, and recessed hinged grate.

A Pipe Size inch [mm]	Grate Open Area sq in [cm ²]	Approximate Weight lb [kg]
2 [51], 3 [76], 4 [102]	7-1/2 [48]	15 [7]



PREFIXES	DESCRIPTION	A PIPE SIZE	LIST PRICE
ZN320*	Cast Iron Body with A.R.C. Interior and Polished Nickel Bronze Top	2", 3", 4"	2,429.00

OUTLETS (SPECIFY PIPE SIZE IN INCHES AND TYPE OF OUTLET)				
OUTLET TYPE		PIPE SIZE/ OUTLET TYPE	E BODY HT. DIM.	ADD
IC	Inside Caulk	2IC, 3IC, 4IC	4-1/2"	N/C
IG	Inside Gasket	2IG, 3IG, 4IG	4-1/2"	N/C
IP	Threaded	2IP, 3IP, 4IP	3-7/16"	80.00
SUFFIXES				ADD
-G	Galvanized Cast Iron			387.00
-VP	Vandal-Proof Secured Top			58.00

SEE LEGACY ADDENDUM ON PAGE 369 FOR MORE INFORMATION

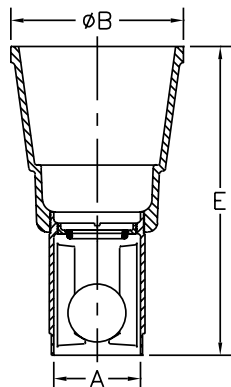
Z325 INDIRECT WASTE FUNNEL WITH INTEGRAL BACKWATER VALVE



ENGINEERING SPECIFICATION

Zurn Z325 7" or 9" diameter indirect waste funnel features Dura-Coated cast iron body, plastic ball float, bronze backwater valve bushing and replaceable neoprene seat.

Dimensions in inches [mm]		Approximate Weight lb [kg]
A Pipe Size	B	
2 [51]	6-3/4 [171]	13 [6]
3 [76]		16 [7]
4 [102]	8-5/8 [219]	20 [9]
6 [152]		37 [17]



PREFIXES	DESCRIPTION	A PIPE SIZE	LIST PRICE
Z325*	D.C.C.I. Body	2"	1,017.00
		3"	1,078.00
		4"	1,391.00
		6"	1,434.00

OUTLETS (SPECIFY PIPE SIZE IN INCHES AND TYPE OF OUTLET)				
OUTLET TYPE		PIPE SIZE/ OUTLET TYPE	E BODY HT. DIM.	ADD
NH	No-Hub	2NH, 3NH	12-3/4"	N/C
		4NH, 6NH	15-1/4"	N/C

SUFFIXES			ADD
-DB	Bottom Dome Strainer		58.00
-G	Galvanized Cast Iron		623.00
-S	Secondary Strainer		58.00

BEST SELLERS	LIST PRICE
Z325-3NH	1,078.00
Z325-4NH	1,391.00

*Regularly furnished unless otherwise specified.

Items designated as Best Sellers are most specified and are generally in stock for shipment.

⌚ This symbol denotes a product that is engineered to reduce installation and rework time.

Supplied By:



**COMMERCIAL PLUMBING
SUPPLY**

877-903-7246

www.commercialplumbingsupply.com

For additional product information, please visit www.zurn.com